

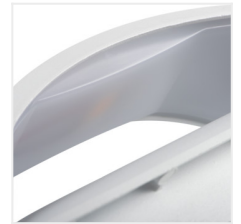
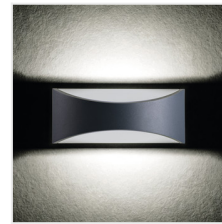
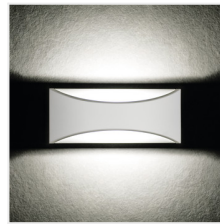
## BISO LED

Facade luminaire

54IP

LED  
technology

[V] 220-240 AC	[Hz] 50/60	≥25000	[h] 25000	ellipse ≤ 6x Nachdam	Ra ≥80	COB
			IP 54	0,5m		°C -15÷40
		1,5÷2,5 [mm <sup>2</sup> ]	CE	EAC		



### BISO LED EL 8W-GR

	[W]	[lm]	Tc [K]		
BISO LED EL 8W-GR	<b>29260</b>	8	140	4000	wall mounted graphite
BISO LED EL 8W-W	<b>29261</b>	8	375	4000	wall mounted white



Kanlux BISO are facade fittings characterized by simple and attractive design. They can be used as a fitting for interiors (they have an appropriate CRI coefficient), at the same time they can be used on building facades (IP54). In Kanlux BISO holder light falling from the LED module is softly diffused on facade and a rear part of the holder.

- Enclosure material: aluminum alloy
- Protective glass material: plastic

## BISO LED

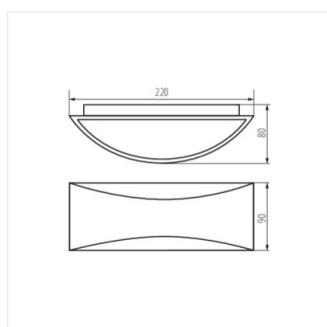
### Facade luminaire



BISO LED EL 8W-GR



BISO LED EL 8W-W



BISO LED EL 8W